



SPA-310 • SFA-291 Ice Dispensers

Model

SPA-310

SFA-291

SPA Model

Designed for ice bucket filling in hotels, motels, and resorts

Ice only dispense, with coin-op and room card dispensing control options



Indigo Series 450 Ice Machine
SPA-310 Ice Dispenser



Indigo Series 450 Ice Machine
SFA-291 Ice & Water Dispenser

SFA Model

Designed for "large" container ice filling.

Accepts up to 10.5" (26.67 cm) high container

Built-in water valve



Standard Features

- 180 lbs. (82 kgs.) ice storage capacity. Accepts 22" (55.88 cm) or 30" (76.2 cm) wide Manitowoc ice machine.
- Only 30" (76.2 cm) wide, 32" (81.28 cm) deep, and 82" high (208.28 cm).
- Patented rocking chute dispense mechanism reduces in-flight ice and ice spillage with quick on/off activation.
- Efficient built-in agitator assures 100% dispensing. Oversized drain pan collects larger quantity of ice overflow.
- DuraTech™ exterior provides superior corrosion resistance. Stainless finish with innovative clear-coat resists fingerprints and dirt.

Warranty

- 5-year parts and 5-year labor coverage on ice machine evaporator.
- 5-year parts and 3-year labor coverage on ice machine compressor.
- 3-year parts-and-labor coverage on all other ice machine and dispenser components.

Ice Shape



Half Dice
3/8" x 1 1/8" x 7/8"
(.95 x 2.86 x 2.22 cm)

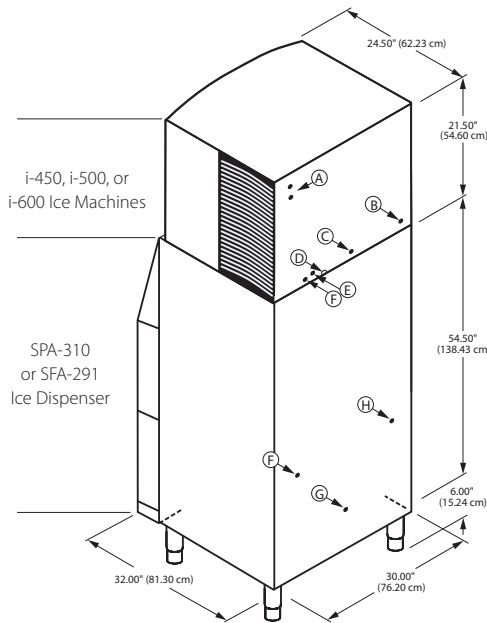


Dice
7/8" x 7/8" x 7/8"
(2.22 x 2.22 x 2.22 cm)





SPA-310 • SFA-291 Ice Dispensers -



- (A) Electrical Entrance (2) Options
- (B) 3/8" (0.95 cm) F.P.T. Water Condenser Inlet (water-cooled units)
- (C) 1/2" (1.27 cm) F.P.T. Water Condenser Outlet (water-cooled units)
- (D) 3/8" (0.95 cm) F.P.T. Ice Making Water Inlet
- (E) 1/2" (1.27 cm) F.P.T. Ice Making Water Drain
- (F) Water Inlet: SFA-291 only
- (G) 1/2" (1.27 cm) F.P.T. Melting Tray Pan Drain Floor To Drain Distance = 13" (With 6" legs)
- (H) Dispenser Electrical Entrance

Installation Note - Dispensers have no minimum clearance, when installing an ice machine/ dispenser combination follow the clearance requirements for the ice machine being installed.

Ice Machine Electric

Note: Dispenser will accept single 22" or 30" wide ice machine.* Ice machine ordered separately. Choose Dice or Half Dice cube size. Refer to ice machine specification sheet for electrical and complete AHRI standard ratings.

Dispenser Electric:

115/60/1. (208-230/60/1 and 230/50/1 also available.)

Maximum Circuit Fuse Size:

15.0 amps. HACR-type circuit breakers can be used in place of fuses.

Dispenser Electrical Connection:

6' power cord, rated 125 VAC, 16-3 conductors with standard 3-prong, straight-blade, ground-type plug (NEMA configuration 5-15P).

Motor:

1.6 amps maximum. Permanently lubricated.

Service Access:

Dispenser door removes easily to access components.

Model Options:

SPA-310 push-for-ice rocking chute, SCA-330 coin-op and SRA-340 room card control available. To field-convert SPA-310 to SRA-340, call factory for information. SFA-291 has a water valve option.

*22" wide ice machines on 30" wide dispensers require K-00365 Adapter & K-00348 Baffle.

Series 300 (115 volt)

| Model | Ice Shape | Ice Production 24 Hours | | | |
|----------|-----------|-------------------------|------|-------------------|------|
| | | 70°Air/50°F Water | | 90°Air/70°F Water | |
| | | lbs. | kgs. | lbs. | kgs. |
| ID-0302A | dice | 310 | 141 | 225 | 102 |
| ID-0303W | dice | 300 | 136 | 260 | 118 |
| IY-0304A | half-dice | 310 | 141 | 235 | 107 |
| IY-0305W | half-dice | 300 | 136 | 260 | 118 |

Series 500 (115 volt)

| Model | Ice Shape | Ice Production 24 Hours | | | |
|----------|-----------|-------------------------|------|-------------------|------|
| | | 70°Air/50°F Water | | 90°Air/70°F Water | |
| | | lbs. | kgs. | lbs. | kgs. |
| ID-0502A | dice | 530 | 240 | 390 | 177 |
| ID-0503W | dice | 550 | 249 | 430 | 195 |
| IY-0504A | half-dice | 560 | 254 | 410 | 186 |
| IY-0505W | half-dice | 550 | 249 | 440 | 200 |

Series 450 (115 volt)

| Model | Ice Shape | Ice Production 24 Hours | | | |
|----------|-----------|-------------------------|------|-------------------|------|
| | | 70°Air/50°F Water | | 90°Air/70°F Water | |
| | | lbs. | kgs. | lbs. | kgs. |
| ID-0452A | dice | 420 | 191 | 320 | 145 |
| ID-0453W | dice | 430 | 195 | 360 | 163 |
| IY-0454A | half-dice | 450 | 204 | 335 | 152 |
| IY-0455W | half-dice | 450 | 204 | 360 | 163 |

Series 600 (208-230 volt)

| Model | Ice Shape | Ice Production 24 Hours | | | |
|----------|-----------|-------------------------|------|-------------------|------|
| | | 70°Air/50°F Water | | 90°Air/70°F Water | |
| | | lbs. | kgs. | lbs. | kgs. |
| ID-0602A | dice | 650 | 295 | 475 | 215 |
| ID-0603W | dice | 650 | 295 | 560 | 254 |
| IY-0604A | half-dice | 650 | 295 | 500 | 227 |
| IY-0605W | half-dice | 650 | 295 | 610 | 277 |

LumInIce™ Growth Inhibitor reduces yeast and bacteria growth for a cleaner ice machine.



Options for SPA-310:



Room Card
SRA-340



Coin-Op
SCA-330
25-cent coin
standard.